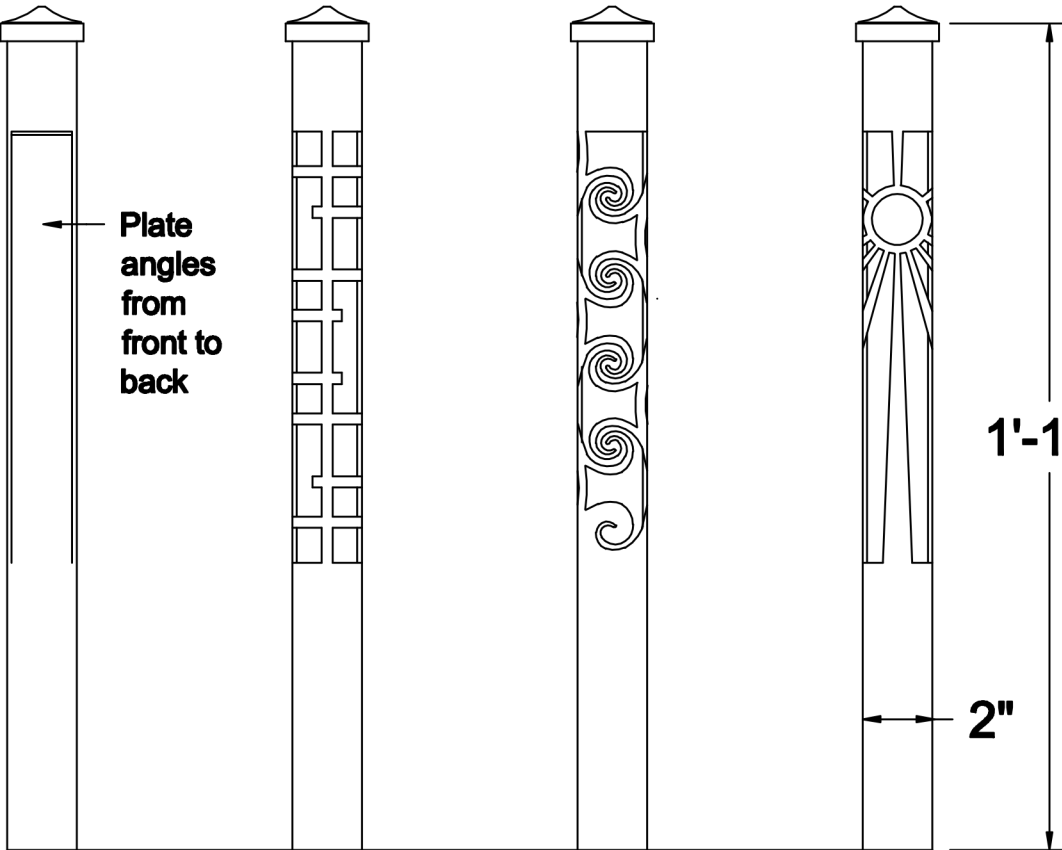


Slope

Lantern

Swirls

Sun



LIGHTHOUSE

OUTDOOR LIGHTING

Details: 4 designs

Fixture Body: 12 gauge steel (1/8 inch)

Cap: 2" cast iron

Finish: weathered steel

Stake mount: 13" hammer stake

Socket: bipin ceramic

Recommended LED (extra cost)

- Brilliance 2 watt Long bipin, 2700K

Options:

Finish: powder coat in textured bronze or black

Fixture Body: Aluminum

LED: 2200K - candle light color

- Looks great with weathered steel!